



FULLY POWERED PALLET TRUCK



PANTHER MAXI

PANTHER MAXI INOX

MOVER



Optimizes the working conditions

Fully powered pallet trucks are recommended for heavy pallet transportation.

Fully powered pallet trucks have electric lifting, lowering and propulsion, which ensure a high level of efficiency at the work

place and a high level of safety for the operators.

We offer two versions of fully powered pallet trucks: Our Panther Maxi and the Mover.

The Panther Maxi is a powerful pallet truck with a strong

construction and high capacity. It also comes in a stainless steel version.

The Mover is a light weight lithium powered pallet truck with smooth operation and very quick battery charge.

Transports heavy pallets safely with no physical efforts

Capacity of 1800 kg

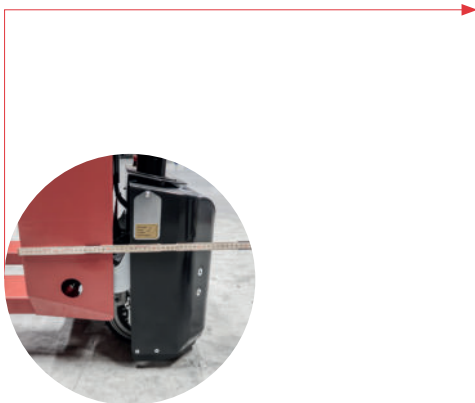
Possible to operate with handle upright

A compact design and strong construction - 100% steel



Handle offset to the left

Internal charger



A short, electric pallet truck manoeuvrable in narrow areas



Fine and soft acceleration and very precise movements due to the control system



Elegant design with rounded corners to protect surroundings from damages

Panther Maxi

The Panther Maxi a powerful pallet truck with focus on efficiency and safety for the operator.



With the fully powered propulsion and a capacity of 1800 kg., the Panther Maxi is an ideal solution if you need to transport heavy pallets from A to B. It works quickly and efficiently and is a valuable helper in a safe and productive working environment.

Oftentimes, space is an issue around production sites, and it can be difficult to move around and access pallets. The Panther Maxi is designed with respect for this issue, as it has a very compact design and in combination with the possibility to operate with the handle upright, it works very well in confined areas.

The fully powered propulsion ensures limited physical effort for the operator, and he or she can easily and safely transport pallets with heavy loads or fragile items without compromising on own safety or productivity.

Panther Maxi Inox

If you need a strong solution for pallet transportation in dry, clean and hygienic environments, the Panther Maxi Inox is a perfect solution.



It is constructed of high-quality stainless steel and for the purpose of easy cleaning and high sanitation, it has closed forks and rounded corners.

The surface of the forks is very smooth and easy to wipe off with a cloth.

*Please refer to our Inox brochure for further information.

Mover

The Mover is a lithium powered pallet truck with the capacity of 1500 kg.

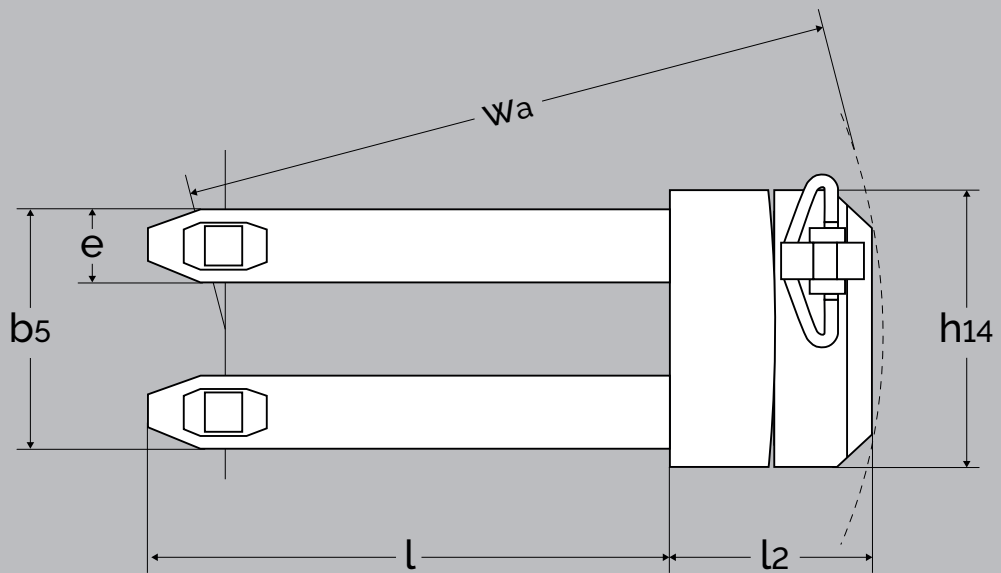
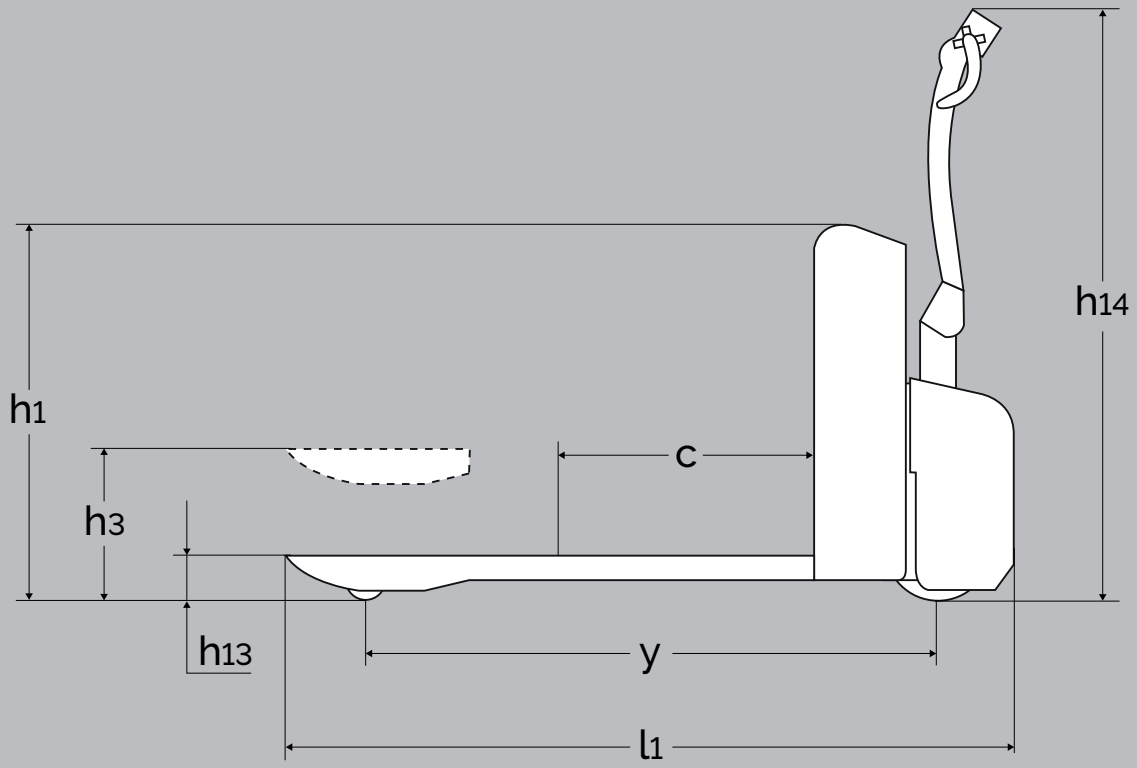
It has a very compact design and is equipped with a maintenance free, light weight lithium battery (5,2 kg). This makes it very smooth and efficient to operate.



Lithium batteries have a high number of battery cycles, and the battery is very easy to change. In addition, charging is extremely fast - you can recharge the battery in 2,5 hours, with a long operational time between charges.

The ergonomic handle has an integrated pin code panel with LCD display with status indication. This ensures easy operation and control. In addition, the Mover has turtle mode, an emergency button, foot protection, stability wheels and entry rollers to ensures a high level of safety for the operator.





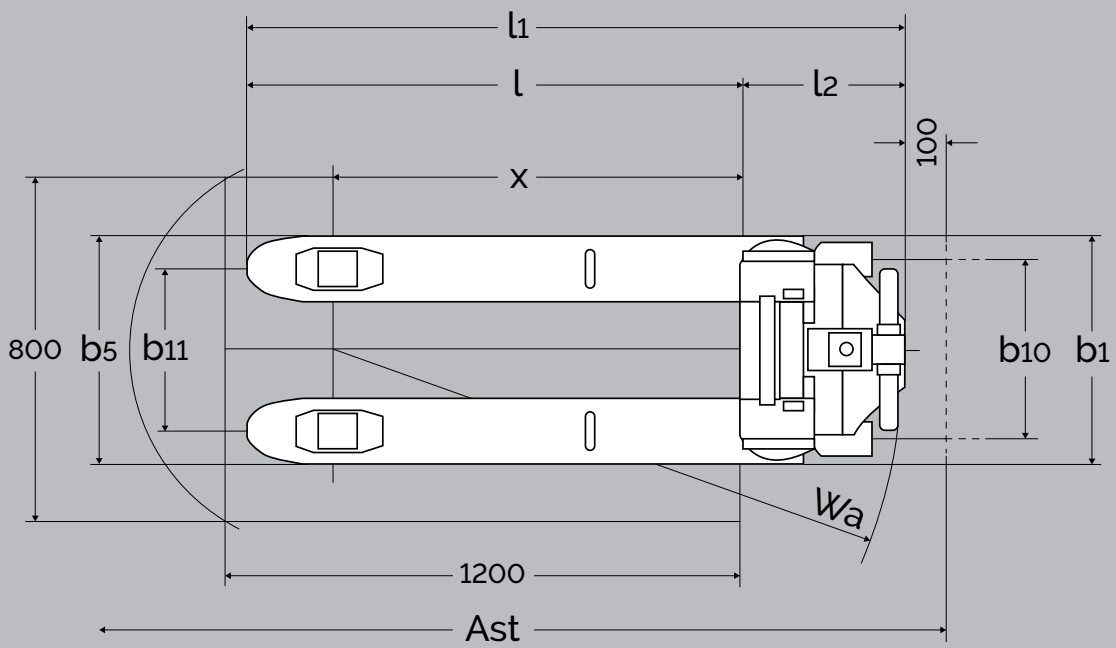
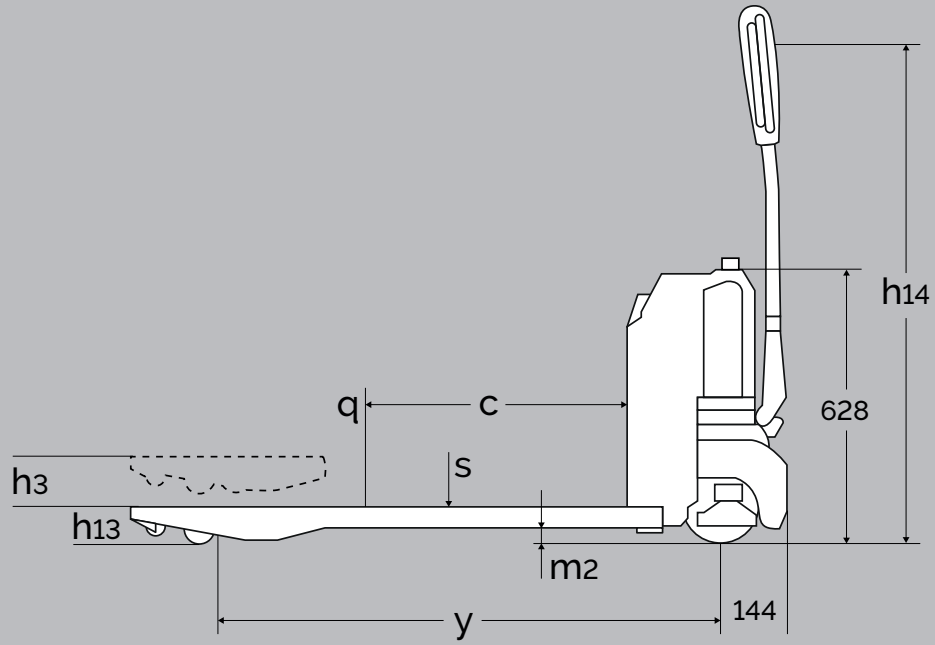
PRODUCT
(measured in mm)

PANTHER MAXI

SPECIFICATIONS - PANTHER MAXI

Capacity in kg		1800
Lifting height	h_3	200
Fork length	l	810, 915, 970, 1066, 1140, 1220, 1520
Overall height	h_1	817
Overall width $b_s = 520/680$ mm	b_1	600/680
Fork span	b_s	520, 680
Fork width	e	158
Length without forks	l_2	450
Overall length	l_1	450 + l
Overall height	h_{14}	1296
Lowered height	h_{13}	85
Load centre	c	$l/2$
Wheel base (l=1140)	y	1256
Gangway	A_{st}	1890 (pallet: 1200 x 800)*
Turning angle of the wheels		210°
Turning radius W_a (l=1140)		1410
Driving motor		24 V 1,2 kW
Driving speed with/without load		5/6 km/h
Pump motor		24 V 1,2 kW
Lifting speed with/without load		35/50 mm/s
Lowering speed with/without load		115/40 mm/s
Gradient performance (1800 kg)		10%
Weight in kg with 1140 mm forks (without battery)		205

* Tests show that 1610 mm are enough.



PRODUCT
(measured in mm)

LM 1500

SPECIFICATIONS - MOVER

Capacity in kg		1500
Lifting height	h_3	195
Fork length	l	1150
Overall height	h_1	660
Overall width	b_1	540
Fork span	b_5	540
Fork width	e	160
Length without forks	l_2	380
Overall length	l_1	$380 + l$
Overall height	h_{14}	1230
Lowered height	h_{13}	80
Load centre	c	$l/2$
Wheel base (l=1150)	y	1185
Gangway	A_{st}	2000 (pallet: 1200 x 800)
Turning angle of the wheels		180°
Turning radius W_a (l=1150)		1330
Driving motor		24 V 0,65 kW
Driving speed with/without load		4,6/4,8 km/h
Pump motor		24 V 0,5 kW
Lifting speed with/without load		20/25 mm/s
Lowering speed with/without load		50/40 mm/s
Gradient performance (1500 kg)		6%
Weight in kg with 1150 mm forks (with battery)		125