



OPTIONAL EXTRAS



REMOTE CONTROL

LEVEL CONTROL

LOGIFLEX ATTACHMENTS

BRAND ELEMENTS

OTHERS



High flexibility and multi-functional solutions

Flexibility in usage, design, look and purpose is very important for many of our customers.

A high level of flexibility can improve the value of the solution and boost performance in the workflow. To meet different needs and preferences, we have a broad assortment of optional extras and attachments for our products.

Our **remote control** is one of our most popular add-ons for our electric and fully powered products. With a remote control you can operate the equipment easily by pressing a button from a safe distance.

The **level control** is also a preferred add-on for our highlifters and stackers. This is a unique feature, which automatically ensures proper working heights and good ergonomic conditions for the workers. It is the ideal solution for customers, who care about their employees and a healthy working environment.

For our Logiflex programme, we offer **different attachments** for the adjustable carriage, which allows you to use the

equipment for different purposes. If you handle different types of elements, you can easily switch between different attachments - without having to use different equipment.

We also have options for colours, logos and other personalisation features. Find inspiration in this brochure.



Platform

To transport different kinds of goods, also non-palletised goods



Drum forks

To handle drums in horizontal position



Fork styles

Different fork styles to lift and transport different pallets



Drum turner

To handle standard steel and plastic drums



Crane arm

To lift and transport items with a hook



Boom

To lift and transport reels in horizontal positions



Remote control

To optimise your experience with our solutions and to improve your conditions for safe and efficiency material handling, we offer our all-in-one remote control for our electric and fully powered products.

With the remote control you can operate the equipment from a safe distance and with a clear overview. Our customers highly value this option as it benefits in terms of flexibility, safety and efficiency.

The remote control comes as wireless or with cable (250 cm).



Level control

How do you ensure to always have a proper working height, when you empty and load pallets? The automatic level control does that for you.

The level control is attached to your equipment, and an electric sensor will ensure the forks raise/lower as the pallet is loaded/emptied.

This way the working height is constant, as it automatically adjusts to the pre-set working height.

The ergonomically correct working position and height help prevent injuries and strain on the operator, and he/she can work faster and more efficient without extra physical efforts.

The level control is user-friendly and easy to programme. It is very robust and compact, which prevents it from getting in the way.

Available for electric highlifters and stackers - also for stainless versions.

Additional extras

Low speed valve

With the low speed valve, you can reduce the lifting and lowering speed of your equipment with a remote control (wireless or cable).

This is relevant in situations where you e.g. need to:

- place reels carefully and precisely into a machine
- handle valuable and fragile vials in the pharma industry

You can reduce lifting speed by 1/3 and lowering speed by 2/3.

Logidock

The Logidock is a "parking station" for your pallet truck.

It is a simple solution if you need to fix your pallet truck during transportation (e.g. in lorries).

The non-skid rubber ring is easy to move around and place where ever you need to fix your pallet truck, when you are not operating.





Branding

To provide a unique product experience, we also customise the equipment according to your company colour, logo and brand name.

Receive your material handling equipment in your own company colour to match your working environment, or have your brand name/logo cut out in the triangle of your pallet trucks.



Drum forks (QDF)

To lift and transport drums horizontally.

The drum forks make it easy and safe to lift and transport drums, paper reels and barrels horizontally.

Dimensions

- Drum diameter with a fork carriage of 810 mm: Minimum 100 mm, maximum 1000 mm.
- Drum diameter with a fork carriage of 690 mm: Minimum 100 mm, maximum 750 mm.

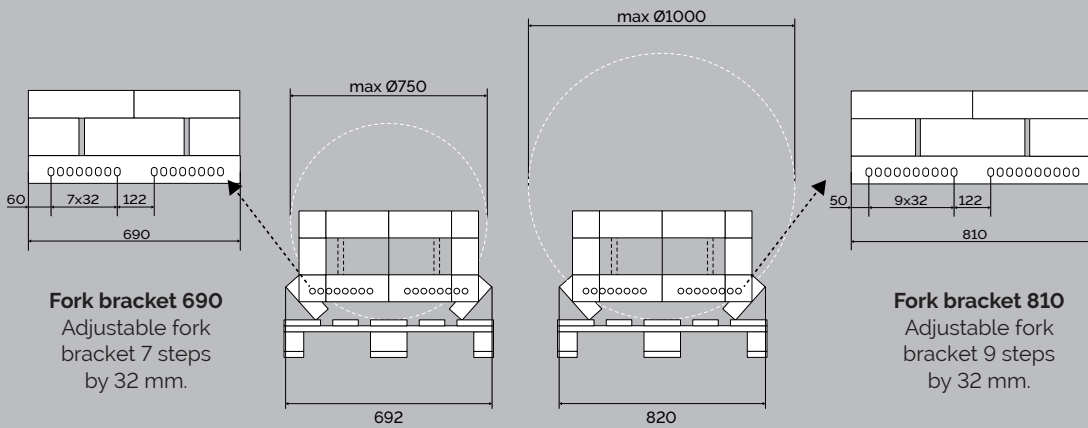
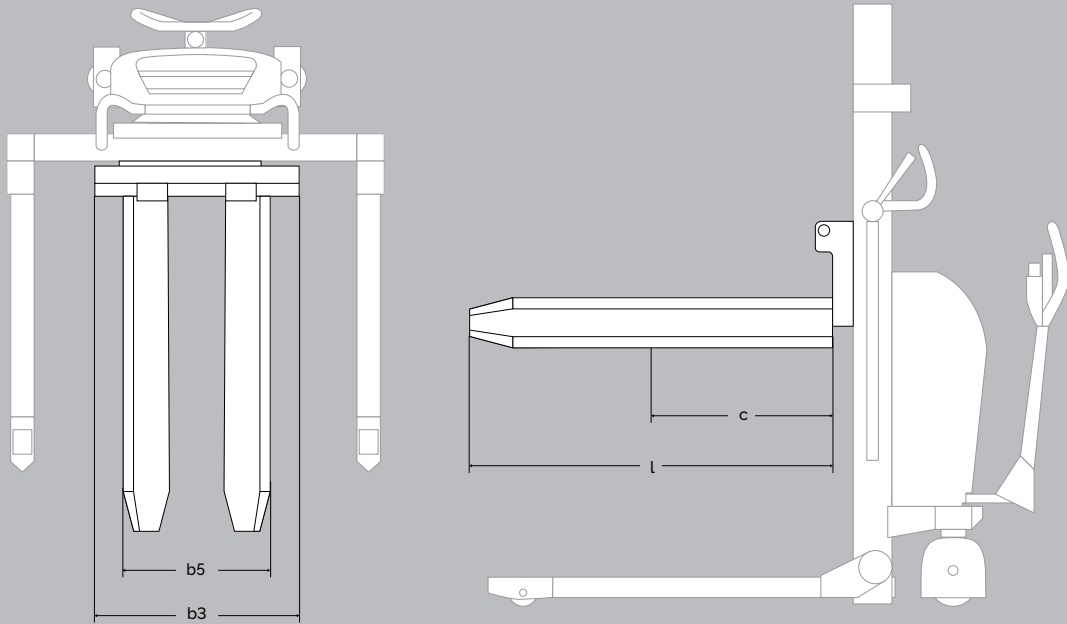
Note: If you have a Logiflex with standard legs (not straddle), the reel must be placed on a pallet to grab it.

The drum forks can easily be replaced by one of the many fork options, we offer as optional extras.

If you need to turn and empty the drums, we recommend our drum turner instead.

FEATURES

- ✓ Quick shift system
- ✓ Manual
- ✓ Electric
- ✓ Fully powered
- ✓ Remote control
- ✓ Straddle legs
- ✓ Standard legs



Fork bracket 690
Adjustable fork bracket 7 steps by 32 mm.

Fork bracket 810
Adjustable fork bracket 9 steps by 32 mm.

The diameter of a drum can max be Ø750 mm when using fork bracket 690.

The diameter of the drum can max be Ø1000 mm when using fork bracket 810.

PRODUCT
(measured in mm)

LF, LFS, ELF, ELFS, SELF, SELFS

Capacity		max. 500 kg
Fork length	l	600, 800, 1150
Width of drum fork carriage	b ₃	690, 810
Maximum drum diameter	d	750 by a carriage of 690 and 1000 by a carriage of 810
Load centre	c	l/2



Fork styles (QWOF, QBF, QCF)

Wrap-over forks, bar forks or chisel forks.

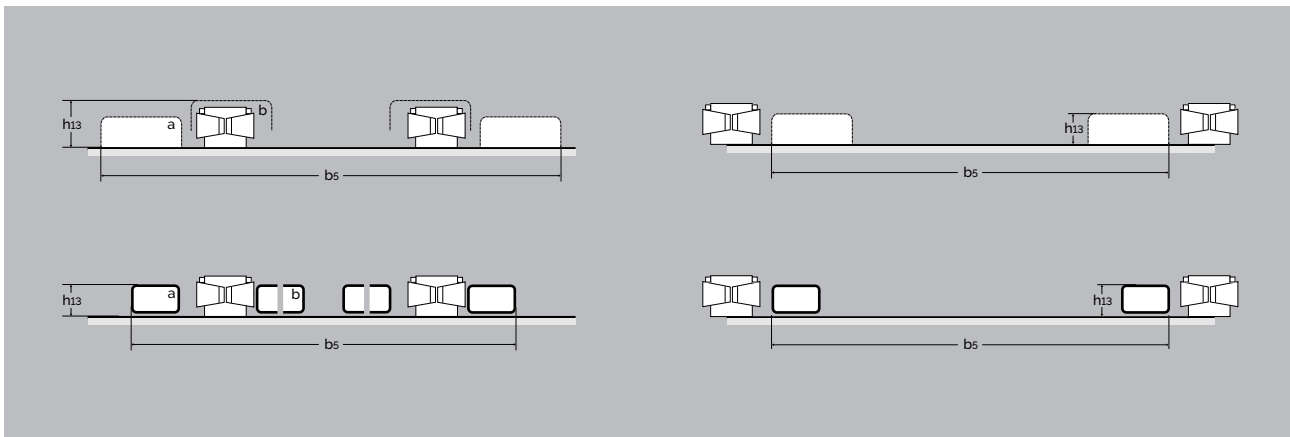
With the different fork styles you can easily lift and transport different types of pallets.

- Wrap-over forks: Standard forks for Logiflex
- Bar forks: Narrow forks - entry widths more narrow than on a EUR pallet
- Chisel forks: Thin forks for low heights under the load. Standard for trucks with capacity of 1200 kg.

You can attach the forks to all Logiflex models with an adjustable carriage, and replace them by one of the many quick shift options we offer.

FEATURES

- ✓ Quick shift system
- ✓ Manual
- ✓ Electric
- ✓ Fully powered
- ✓ Remote control
- ✓ Straddle legs
- ✓ Standard legs



PRODUCT (measured in mm)	FORK CARRIAGE 440 mm*	FORK CARRIAGE 690 mm**
------------------------------------	--	---

Fork style		Wrap-over	Bar	Chisel	Wrapover	Bar	Chisel
Size of wheel		Ø75			Ø85		
Fork span	b_5	350-560	230-430	230-430	350-800	230-680	230-680
Fork span - a	b_5						
Fork span - b	b_5	560	230-300	230-300	560	230-300	230-300
Lowered fork height - straddle legs	h_{13}	85	85	60	65	65	40
Lowered fork height - a	h_{13}						
Lowered fork height - b	h_{13}	85	85	60	90	65	40
Fork dimensions		163x61	100x60	100x35	163x61	100x60	100x35

PRODUCT (measured in mm)	FORK CARRIAGE 810 mm*	FORK CARRIAGE 946 mm**
------------------------------------	--	---

Fork style		Wrap-over	Bar	Chisel	Wrapover	Bar	Chisel
Size of wheel		Ø85			Ø85		
Fork span	b_5	350-920	230-800	230-800	530-1050	420-930	420-930
Fork span - a	b_5	876-920	750-800	750-800	876-1050	750-930	750-930
Fork span - b	b_5	560	230-300	230-300	560		
Lowered fork height - straddle legs	h_{13}	65	65	40	65	65	40
Lowered fork height - a	h_{13}	65	65	40	65	65	40
Lowered fork height - b	h_{13}	90	65	40			
Fork dimensions		163x61	100x60	100x35	163x61	100x60	100x35

* Standard carriage for LF MINI and ELF with capacity 1000 kg and lifting height 920 and 1650 mm.

** Standard carriage for Logiflex straddle stackers with wrap-over forks.

*** Standard carriage for Logiflex straddle stackers with bar and chisel forks.

Standard carriage for Logiflex stackers without straddle legs (but fork carriage 440 mm for LF MINI and ELF with capacity 1000 kg and lifting height 920 and 1650 mm).



Boom (QBM)

With the boom you can safely and easily carry and transport reels in horizontal position.

The capacity of the boom depends on weight and length of the reel. The load must be placed evenly over the length of the boom.

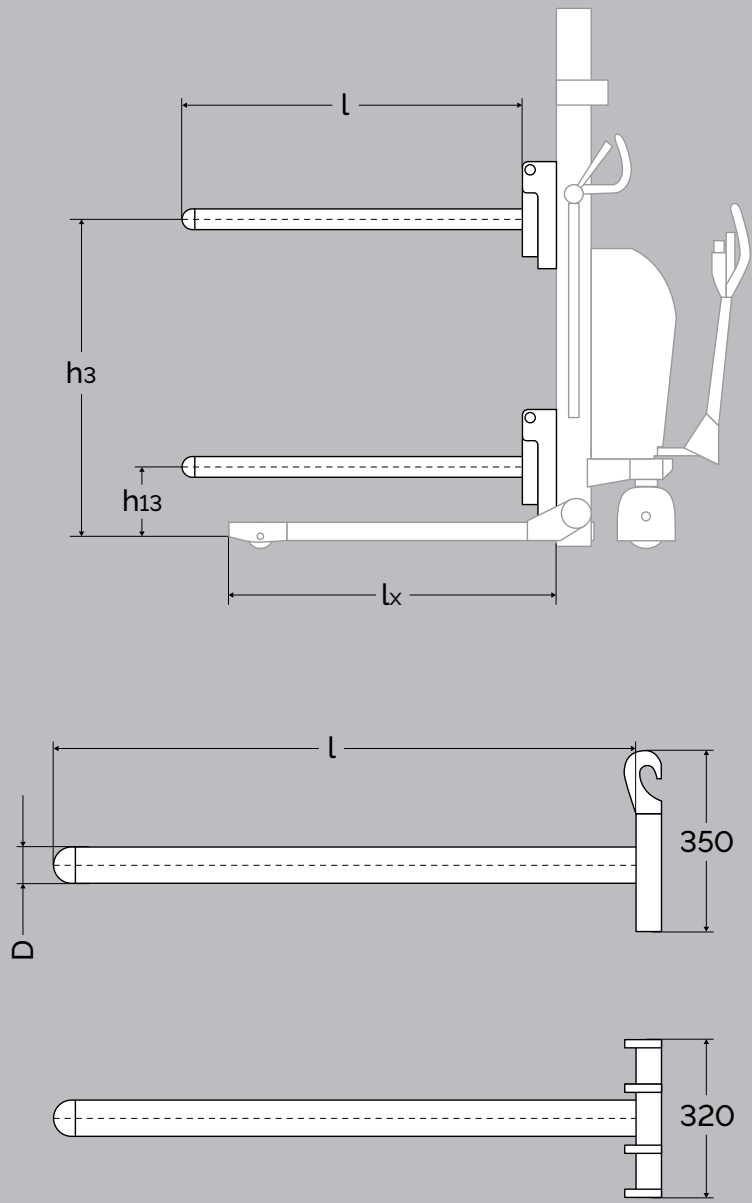
As a safety precaution, the load centre of the reel must be placed behind the load wheel centre on the legs.

Note: If you have a Logiflex with standard legs (not straddle), the reel must be placed on a pallet - not directly on the floor.

The boom has a quick shift system and is therefore easy and quick to fit on all Logiflex models with adjustable carriage.

FEATURES

- ✓ Quick shift system
- ✓ Manual
- ✓ Electric
- ✓ Fully powered
- ✓ Remote control
- ✓ Straddle legs
- ✓ Standard legs



PRODUCT (measured in mm)	LF MINI, ELF, SELF MINI, SELF MAXI		LFS MINI, ELFS, SELS MINI, SELS MAXI		LF MINI, ELF, SELF MINI, SELF MAXI		LFS MINI, ELFS, SELS MINI, SELS MAXI	
	l_x	806	818	1000	230	430	1068	800
Run-in lengths	l_x	806	818	1000	230	430	1068	800
Lifting height, boom	h_3	$h_{13} + \text{lifting height (Logiflex)}$						
Lowered height, boom	h_{13}	170 (without load)						
Length of boom	l	800			1150			
Diameter of boom	D	40	50	70	40	50	70	
Capacity (kg)		330	650	1000	230	430	800	



Platform (QPF)

To move different items not necessarily placed on pallets.

The platform makes it easy for you to lift and carry items that are not placed on pallets in a safe and efficient way.

Examples:

- equipment with wheels
- small trolleys
- pressure cleaners
- vacuum cleaners

It can, however, also carry and transport pallets.

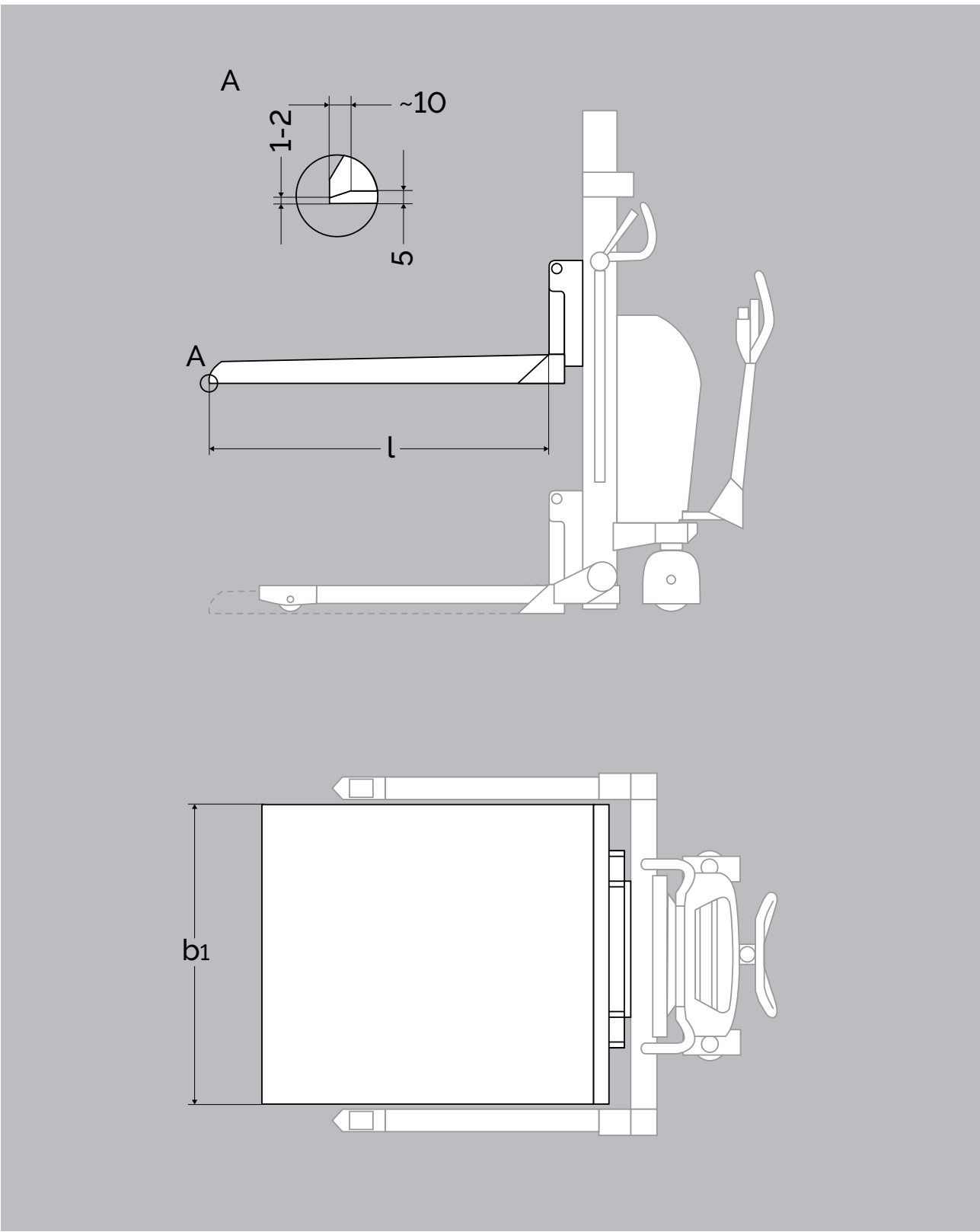
Dimensions

- Max. capacity: 1000 kg (load evenly distributed on the platform).
- Width: 1092 mm.
- Length: 990 mm or 1220 mm.

Note: You can lower the platform all the way to the ground using a Logiflex with straddle legs. Not with standard legs.

FEATURES

- ✓ Quick shift system
- ✓ Manual
- ✓ Electric
- ✓ Fully powered
- ✓ Remote control
- ✓ Straddle legs
- ✓ Standard legs



PRODUCT
(measured in mm)

LFS, ELFS, SELFS

Capacity	Max. capacity 1000 kg (when the load is distributed evenly)	
Width of platform	b	1092
Length of platform	l	990, 1220



Crane arm (TC 750)

For our Logiflex Stackers we offer the telescopic crane arm, TC 750.

The telescopic crane arm has different positions, and different lengths from 750 mm to max. 1600 mm.

The capacity of the telescopic crane arm depends on each position.

The adjustable length makes it very flexible to use. It can be used for heavy units of max. 750 kg, and for units up to max. 200 kg, when positioned up to 1600 mm from the mast of the stacker.

Please always contact us in order to find the best and safest solution for you.

Crane arm (QCA)

Designed to lift and carry machine tools with a hook.

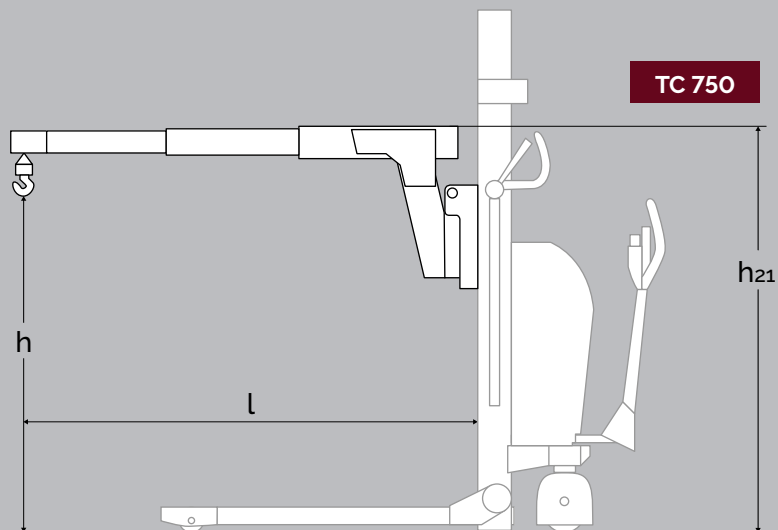
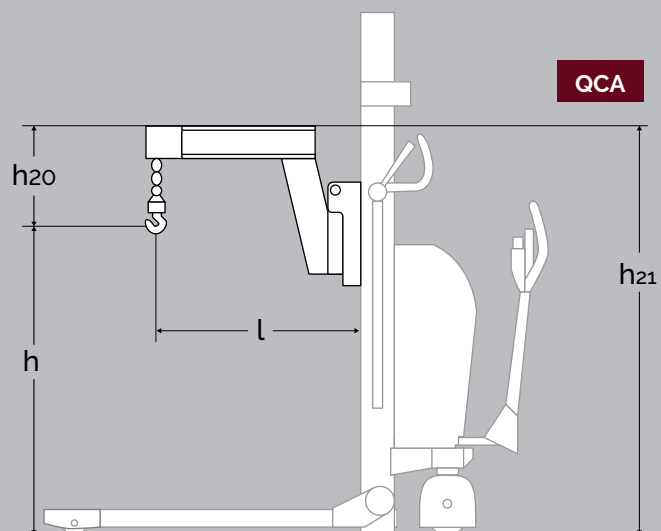
The crane arm makes it easy to lift and transport heavy objects, such as machine tools, plastics moulds and components.

It has an adjustable chain with a hook.

Maximum capacity: 1100 kg.

FEATURES

- ✓ Quick shift system
- ✓ Manual
- ✓ Electric
- ✓ Fully powered
- ✓ Remote control
- ✓ Straddle legs
- ✓ Fork over



PRODUCT
(measured in mm)

QCA

TC 750

PRODUCT (measured in mm)		QCA	TC 750
Capacity		Max. 500 kg	
Total length	l	750	750-1600
– Length / capacity		750 / 750 kg	
– Length / capacity		750-1175 / 350 kg	
– Length / capacity		1175-1600 / 200 kg	
Lifting height, hook	h	0 - (h ₃ + 345)	h ₃ + 200. (max. 2210)
Hook length	h ₂₀	210-640	
Total height	h ₂₁	h ₁ + 160	h ₁ + 160



Drum turner (QDTA)

To lift and rotate standard drums.

If you handle standard measured drums and only handle one type of drums, our Logiflex drum turner is a good match for you.

This drum turner can handle standard steel drums (DS/EN 210) and standard plastic drums (DS/EN 12707) in an ergonomic, safe and efficient way.

Electric drum turner

- Speed control
- Delicate operation
- Protected gearbox
- The electric drum turner is only available for electric and fully powered Logiflex models

Manual drum turner

- Gearing is 1:80 - manually turn the handle 80 times to turn the clamps 360°.

FEATURES

- ✓ Quick shift system (for the manual version)
- ✓ Manual
- ✓ Electric
- ✓ Fully powered
- ✓ Remote control
- ✓ Straddle legs
- ✓ Standard legs

