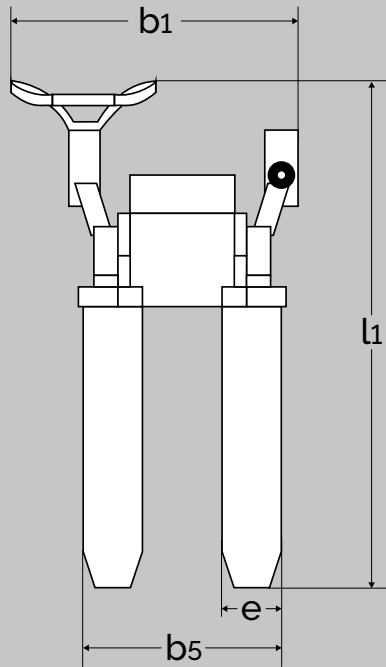
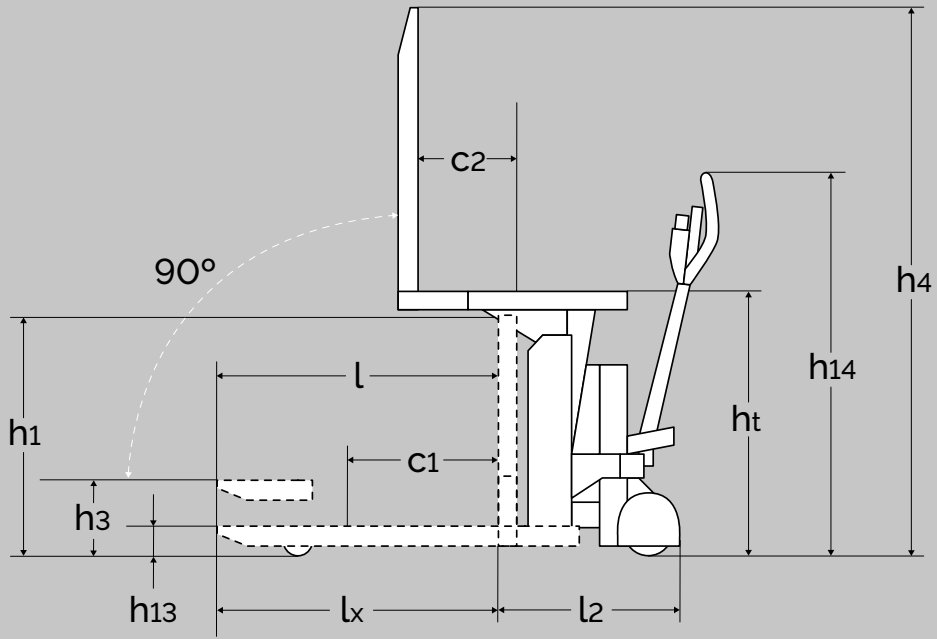


# LOGITILT INOX

SPECS AND KEY SKETCHES



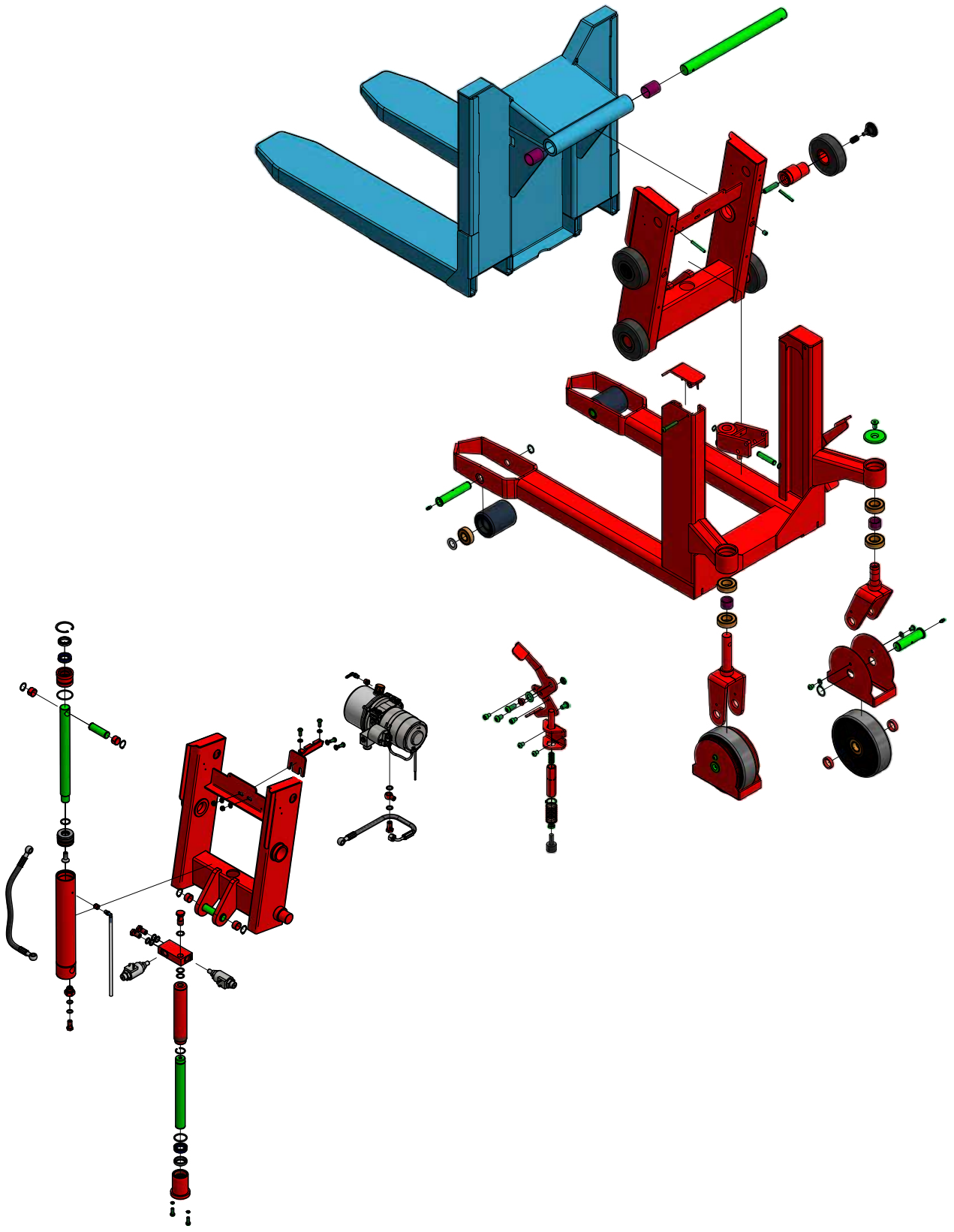
LOGITILT INOX + STRADDLE  
(LTI/LTIS)










**PRODUCT**  
(measured in mm)

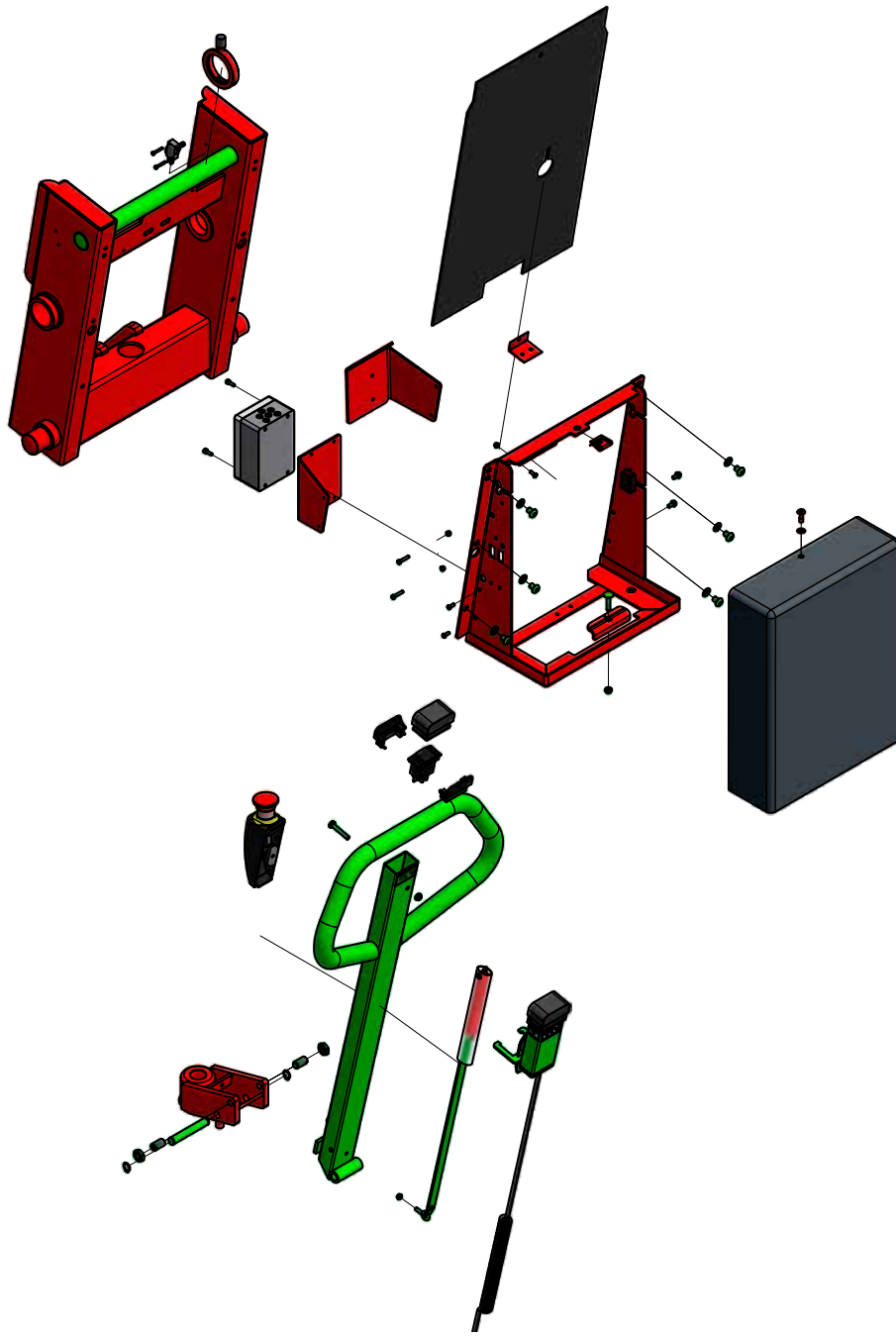
**LTI 1001 TE RF-SEMI**








Capacity in kg		1000*
Height, tilted	$h_t$	750-950
Lifting height	$h_3$	275
Fork length	$l$	800
Overall height with handle	$h_{14}$	1090
Overall height	$h_1$	780
Overall width	$b_1$	780
Fork span	$b_5$	560
Fork width	$e$	163
Overall length by 800 mm forks	$l_1$	1410
Length without forks	$l_2$	590
Run-in length	$l_{1x}$	665
Overall height	$h_4$	$h_t + l$
Lowered height	$h_{13}$	85
Load centre	$c_1$	max $l/2$
Load centre	$c_2$	min 200 - max 420
Pump motor		0,8 KW 12V
Lifting speed lift/tilt		4 s/14 s
Lowering speed lift/tilt		3 s/11 s
Weight by 800 mm forks (without battery)		173 kg



						
<b>Acid-resistant steel</b>	<b>Stainless steel</b>	<b>Zinc-iron black passivating + sealer*</b>	<b>Zinc-iron silver passivating + sealer*</b>	<b>Rubber sealed bearings</b>	<b>Bronze</b>	<b>Painted 130-150 µm</b>
EN 14404 (AISI 316L) EN 14460 (AISI 329)	EN 14305 (AISI 303) EN 14301 (AISI 304)	Fe//ZnFeX//Fn//T2	Fe//ZnFeX//Cn//T2			

\*chromated



						
<b>Acid-resistant steel</b>	<b>Stainless steel</b>	<b>Zinc-iron black passivating + sealer*</b>	<b>Zinc-iron silver passivating + sealer*</b>	<b>Rubber sealed bearings</b>	<b>Bronze</b>	<b>Painted 130-150 µm</b>
EN 14404 (AISI 316L) EN 14460 (AISI 329)	EN 14305 (AISI 303) EN 14301 (AISI 304)	Fe//ZnFeX//Fn//T2	Fe//ZnFeX//Cn//T2			

\*chromated

# Electric stainless products

## Material

- Please check our key sketch.

## In general

- Acid-resistant steel AISI 316L for the forks
- Stainless steel AISI 304 for chassis and other exposed components
- Electric print is coated with DCA SCC3 (conformal coating)
- Exposed plugs are sealed with Gasket Silicone 273
- All electric parts are sprayed with WD-40.
- Chains, chain wheel, support rollers etc.: Various steel alloys - not corrosion resistant.
- Less exposed parts: Zinc coating according to DIN 50979- ZnFe8/Cn/T2 (408 hours salt spray test)
- Ball bearing with rubber sealing.
- Motor: IP44
- The charger is not protected against moisture, so in general external charger is used. Charging should take place in a dry environment.
- If possible, the product is to be placed in a dry and heated room, when not used.

## Maintenance

To achieve the longest possible operational time, it is important that stainless products are maintained regularly.

The frequency depends on the usage.

### [Cleaning/Maintenance of stainless products](#)

#### Every third month

- Electric parts are sprayed with WD-40
- Plugs and connections are checked and cleaned for brownish layer and bad connections

#### Warranty

- When used in wet environments, the warranty does not cover damages caused by moisture. This might be rust damages to galvanized parts and faults on electrical parts.

# In which environment do you want to use the product?

Stainless steel products operate in different environments and must meet different requirements from our customers. What is your environment?

Environments	Examples industries	Logitrans products managing these environments	
<p><b>Very aggressive, wet environments</b> The product is wet due to liquid dissolutions (acid, base or brine) almost all the time.</p> <p><b>Cleaning</b> Aggressive cleaning. Cleaning with foam (acid or base) (washing) PH in the cleaning material is much lower or much higher than 7.0</p>	<p><b>Preparation processes in</b> Food and fish industries Slaughterhouses Dairies</p>		
<p><b>Aggressive, wet environments</b> The product is wet and moist most of the time.</p> <p><b>Cleaning</b> Aggressive cleaning. Cleaning with foam (acid or base) (washing). PH in the cleaning material is much lower or much higher than 7.0</p>	<p><b>Production processes in</b> Food industry Slaughterhouses Dairies</p>		
<p><b>Clean, moist environments</b> The product is moist only occasionally.</p> <p><b>Cleaning</b> Gentle cleaning when wiping or washing (only forks). Neutral water (PH7), when necessary with gentle cleaning materials.</p>	<p>Pharmaceutical industry Food industry</p>	<p><b>All Logitrans stainless products</b></p> <p><b>Panther Inox, HS/EHS Inox HL/EHL Inox, Logitilt Inox Rotator Inox, Multi Drum Turner Inox Stainless fully-powered products</b></p>	<p><b>EHL Inox Plus HL Inox Plus</b></p>
<p><b>Clean, dry environments</b> The product is dry all the time.</p> <p><b>Cleaning</b> Cleaning the products with dry or moist cloth.</p>	<p>Pharmaceutical Packaging in the food industry</p>		