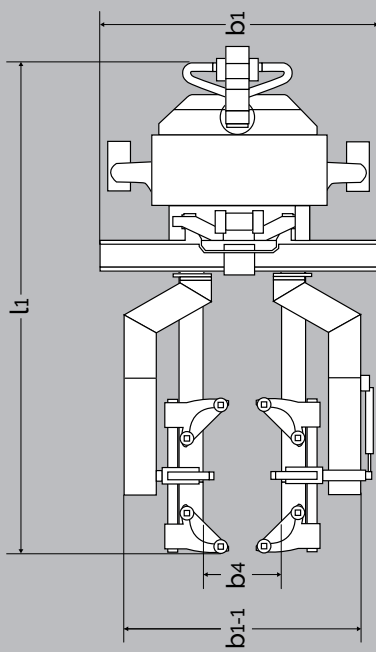
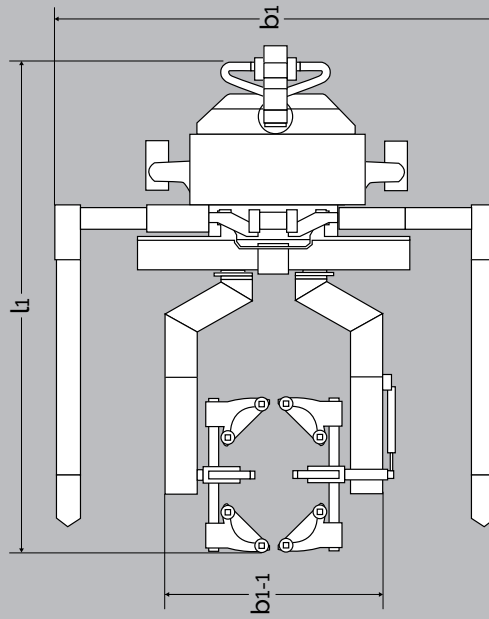


SELFMDT / SELFSMDT



SELFMDT



SELFSMDT

PRODUCT (measured in mm)		SELFMDT	SELFMDT	SELSMDT	SELSMDT
Capacity i kg		350 kg	350 kg	350 kg	350 kg
Drum diameter		Ø300 to Ø600			
Lifting height	h_3	1800	2100	1800	2100
Rotation function		360°		360°	
Overall height	h_1	1930	2240	1930	2240
Overall width	b_1	1000		166 + b_4	
Overall width arms min.	b_{1-1}	800		800	
Overall width arms max.	b_{1-2}	1400		1400	
Length without carriage	l_2	605		605	
Overall length	l_1	1830		1830	
Lowered height	h_{13}	400		400	
Width between legs	b_4	316	316	850 - 942, 942 - 1124, 1124 - 1306, 1240-1422	
Run-in length	l_x	1100		1100	
Turning angle of the wheels		210°		210°	
Driving motor		1,2 kW 24 V speed control electronically variable			
Driving speed with/without load		Below 500 mm lift: 5/6 km/h, over 500 mm lift: 3/4 km/h			
Pump motor		1,2 kW 24 V			
Lifting speed with/without load		0,07/0,12 m/s			
Lowering speed with/without load		0,12 / 0,07 m/s			
Weight in kg (no battery)		500 kg	508 kg	540 kg	548 kg