

PALLET TRUCKS INOX

SPECS AND KEY SKETCHES



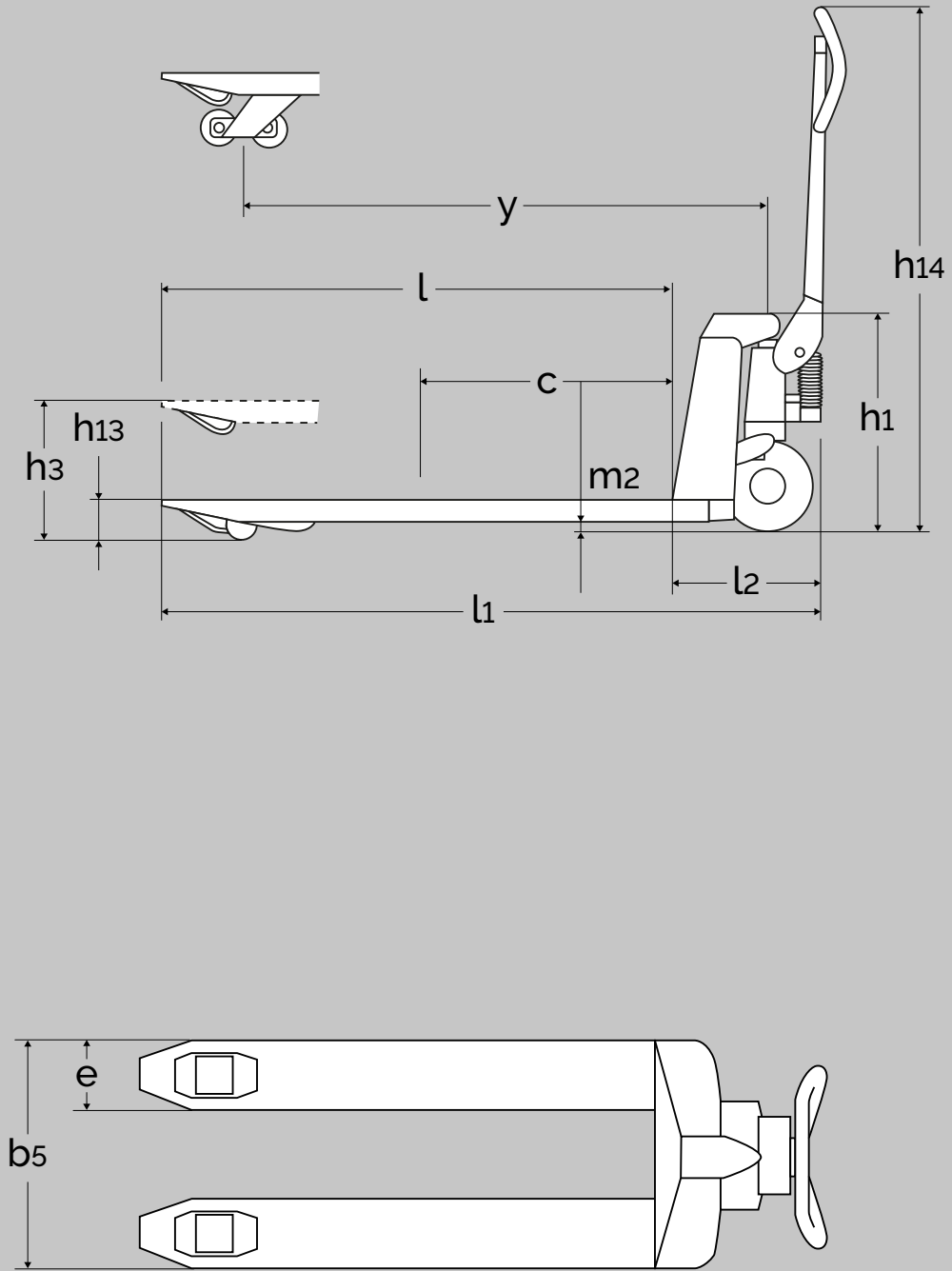
PANTHER INOX PLUS (PIP)



PANTHER INOX PLUS (PI)



PANTHER INOX
(EXPLOSION PROOF)



PRODUCT
(measured in mm)

PANTHER INOX
PLUS PIP 2072

PANTHER INOX
PLUS PIP 2072 EX

PANTHER INOX
PI 2082

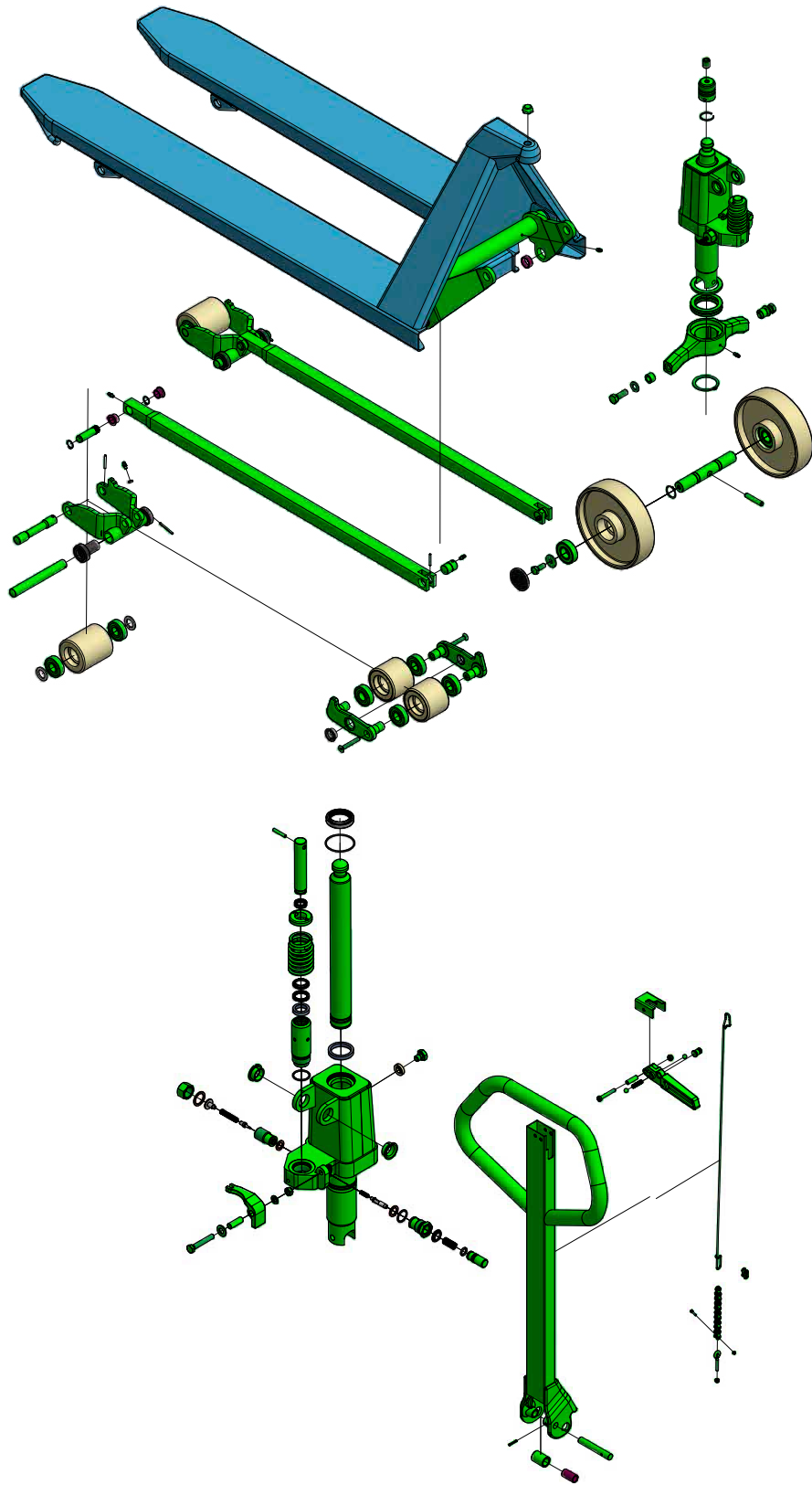
PANTHER INOX
PLUS PIP 2082








PANTHER INOX
PLUS PIP 2082 EX

PANTHER INOX PLUS / PANTHER INOX / PANTHER INOX PLUS EX

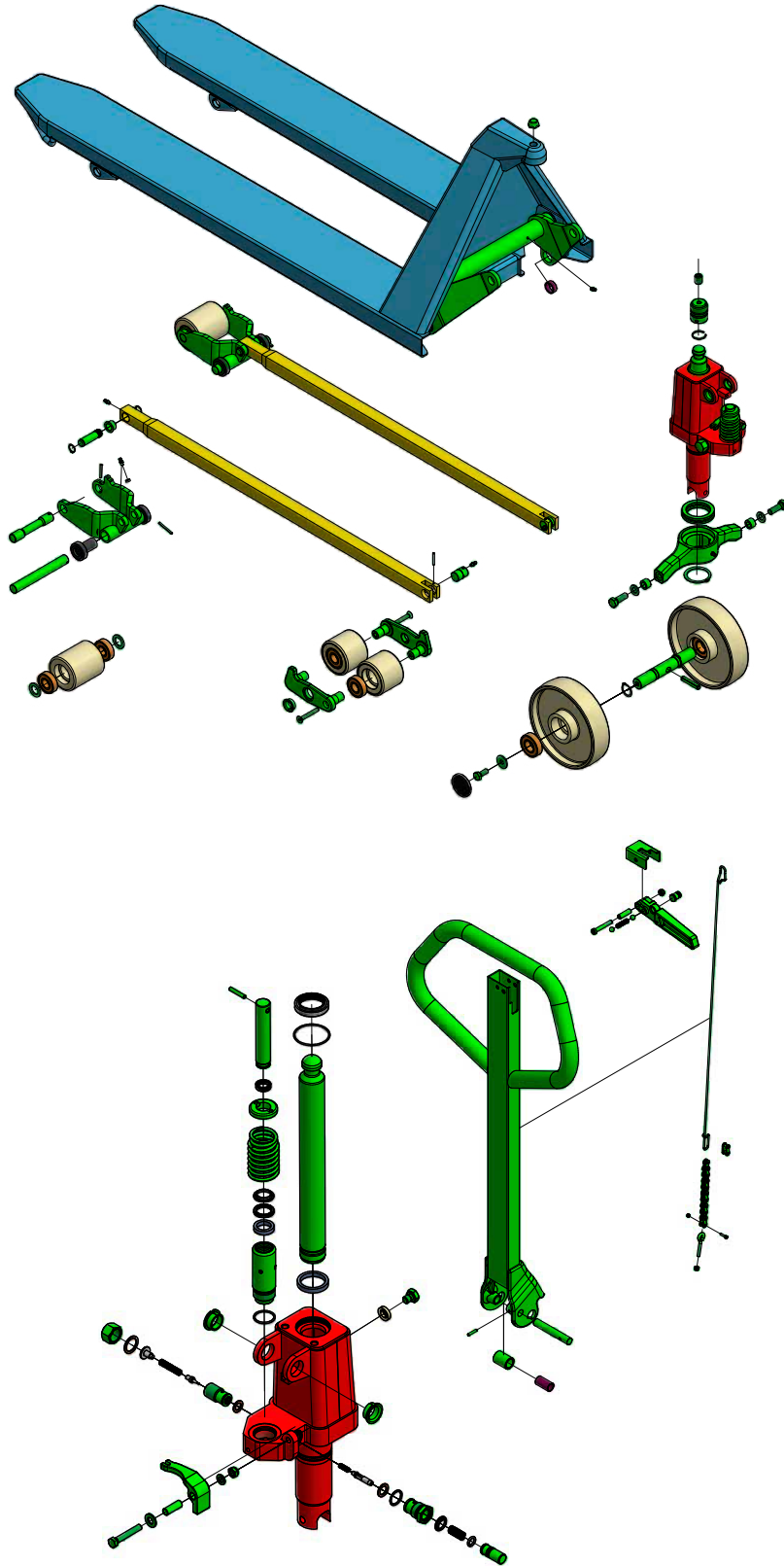
Capacity i kg		2000				
Lifting height	h_3	$h_{13} + 120$				
Fork length	l	810, 915, 970, 1140, 1220,1520				
Overall height	h_1	$h_{13} + 412$				
Fork span	b_5	520, 680				
Lenght without forks	l_2	335				
Overall length	l_1	$l + 335$				
Fork width	e	160				
Wheelbase	y	$l + 25$				
Overall height	h_{14}	1170				
Lowered height - adjustable	h_{13}	75 to 83	75 to 83	85 to 93	85 to 93	85 to 93
Load centre	c	$l/2$				
Ground clearance	m_2	$h_{13} + 51$				
Turning angle of the wheels		220°				
Fork wheels - single		Ø70 x 90	Ø80 x 90	Ø80 x 90	Ø80 x 90	Ø80 x 90
Fork wheels - tandem			Ø80 x 70	Ø80 x 70		
Steering wheel		Ø200 x 50				
Weight		69 kg (520 x 1140), 75 kg (680 x 1140)				








PANTHER INOX PLUS / PANTHER INOX PLUS EX



						
Acid-resistant steel	Stainless steel	Zinc-iron black passivating + sealer*	Zinc-iron silver passivating + sealer*	Rubber sealed bearings	Bronze	Painted 130-150 µm
EN 14404 (AISI 316L) EN 14460 (AISI 329)	EN 14305 (AISI 303) EN 14301 (AISI 304)	Fe//ZnFeX//Fn//T2	Fe//ZnFeX//Cn//T2			

*chromated



						
Acid-resistant steel	Stainless steel	Zinc-iron black passivating + sealer*	Zinc-iron silver passivating + sealer*	Rubber sealed bearings	Bronze	Painted 130-150 µm
EN 14404 (AISI 316L) EN 14460 (AISI 329)	EN 14305 (AISI 303) EN 14301 (AISI 304)	Fe//ZnFeX//Fn//T2	Fe//ZnFeX//Cn//T2			

*chromated

Trucks for explosive atmospheres

Our **manual pallet truck, highlifter and stacker** also come in special explosion proof versions.

The manual trucks must fulfil the ATEX-directive, and they are manufactured in concordance with the ATEX directive no. 2014/34/EC and relevant standards.

The trucks are categorised in equipment group II and are suitable for areas classified as zone 1/zone 21 (do also cover zone 2/zone 22). This means, areas in which explosive atmosphere is generated occasionally due to different gases or dust.

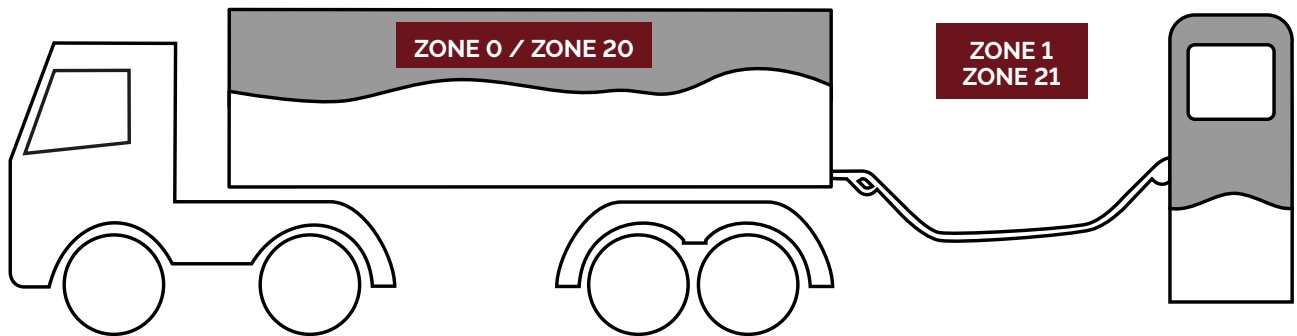
We construct the trucks in high quality stainless steel and with minimum one vulkollan anti-static wheel in order to avoid static electricity.

The trucks are suitable for the pharmaceutical, chemical, oil, gas and painting industry.

The explosion proof trucks are characterised by the following product labels:



II 2G Ex h IIB T6 Gb
II 2D EX h IIIB T85°C Db



The sketch shows an example of a zone.
Gas: Zone 0, 1 and 2.
Dust: Zone 20, 21 and 22.

Electric stainless products

Material

- Please check our key sketch.

In general

- Acid-resistant steel AISI 316L for the forks
- Stainless steel AISI 304 for chassis and other exposed components
- Electric print is coated with DCA SCC3 (conformal coating)
- Exposed plugs are sealed with Gasket Silicone 273
- All electric parts are sprayed with WD-40.
- Chains, chain wheel, support rollers etc.: Various steel alloys - not corrosion resistant.
- Less exposed parts: Zinc coating according to DIN 50979- ZnFe8/Cn/T2 (408 hours salt spray test)
- Ball bearing with rubber sealing.
- Motor: IP44
- The charger is not protected against moisture, so in general external charger is used. Charging should take place in a dry environment.
- If possible, the product is to be placed in a dry and heated room, when not used.

Maintenance

To achieve the longest possible operational time, it is important that stainless products are maintained regularly.

The frequency depends on the usage.

[Cleaning/Maintenance of stainless products](#)

Every third month

- Electric parts are sprayed with WD-40
- Plugs and connections are checked and cleaned for brownish layer and bad connections

Warranty

- When used in wet environments, the warranty does not cover damages caused by moisture. This might be rust damages to galvanized parts and faults on electrical parts.

In which environment do you want to use the product?

Stainless steel products operate in different environments and must meet different requirements from our customers. What is your environment?

Environments	Examples industries	Logitrans products managing these environments		
<p>Very aggressive, wet environments The product is wet due to liquid dissolutions (acid, base or brine) almost all the time.</p> <p>Cleaning Aggressive cleaning. Cleaning with foam (acid or base) (washing) PH in the cleaning material is much lower or much higher than 7.0</p>	<p>Preparation processes in Food and fish industries Slaughterhouses Dairies</p>			
<p>Aggressive, wet environments The product is wet and moist most of the time.</p> <p>Cleaning Aggressive cleaning. Cleaning with foam (acid or base) (washing). PH in the cleaning material is much lower or much higher than 7.0</p>	<p>Production processes in Food industry Slaughterhouses Dairies</p>			
<p>Clean, moist environments The product is moist only occasionally.</p> <p>Cleaning Gentle cleaning when wiping or washing (only forks). Neutral water (PH7), when necessary with gentle cleaning materials.</p>	<p>Pharmaceutical industry Food industry</p>			
<p>Clean, dry environments The product is dry all the time.</p> <p>Cleaning Cleaning the products with dry or moist cloth.</p>	<p>Pharmaceutical Packaging in the food industry</p>	<p>All Logitrans stainless products</p>	<p>Panther Inox, HS/EHS Inox HL/EHL Inox, Logitilt Inox Rotator Inox, Multi Drum Turner Inox Stainless fully-powered products</p>	<p>EHL Inox Plus HL Inox Plus</p>
		<p>Panther Inox Plus</p>		